

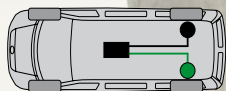


VB-FULLAIR 2C

making everyday smoother



air suspension



- Increased comfort • Better driveability • More safety



FORD TRANSIT RWD V363

>2014 ONLY VAN
REAR AXLE

PRODUCT SHEET

PRODUCT SHEET

The Ford Transit RWD V363 is available with a full 2-corner air suspension system for the rear axle. The Transit RWD V363 is an ideal candidate for the use of air suspension systems. Our VB-FullAir 2C air suspension system is not just available for new vehicles, it can also be mounted in used vehicles.

VB-FullAir steering

The VB-FullAir system comes with an electronic control unit called VB-ASCU (VB-Air Suspension Control Unit). This unit automatically monitors and corrects the vehicle's ride height. This ongoing process of monitoring and correction – which is unaffected by the load being transported – ensures safer vehicle handling and increases comfort.

Software

The electronic control unit is compatible with the vehicle electronics and ESC system of the Ford Transit RWD V363. Thanks to the range of different software variants, the VB-FullAir system can be adapted to specific vehicle applications. The use of the Internet helps to provide support across the globe.

Changing the height

The entry/loading platform height can be raised or lowered when the vehicle is at a standstill, allowing passengers to comfortably enter and exit the vehicle and goods to be conveniently loaded and unloaded.

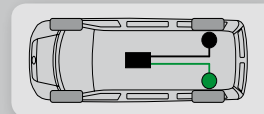


Benefits of VB-FullAir:

- Constant ride height
- Increased comfort
- Better driveability
- Increased stability
- Comfortable transportation of passengers
- Kneeling function for allowing passengers to enter and exit the vehicle
- Better protection for fragile/delicate goods
- Kneeling function for loading and unloading goods
- Less wear on tyres/brakes
- More environmentally friendly, lower CO² emissions
- Spare wheel remains under the vehicle

Available VB-FullAir options

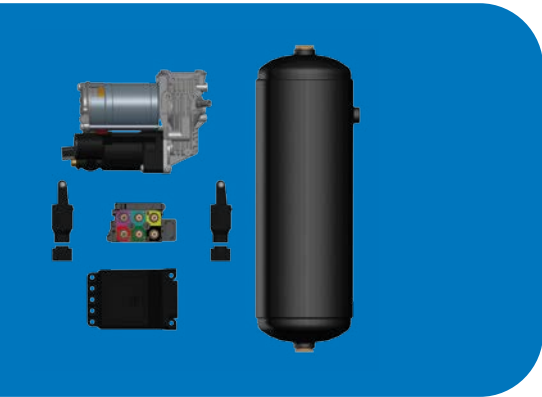
- Memory
- Parking *
- AutoLevel (level-ground) *
- Offroad *
- Tilt function (water tank) *
- Sport *
- Ferry *
- Garage *



Delivery and maintenance

The VB-FullAir system for the Transit RWD V363 can be supplied and maintained by the VB dealer network as well as the official Ford dealer organisation.

The VB-FullAir system is low-maintenance and your VB dealer can advise you of any maintenance that your vehicle requires.



Applications

The VB-FullAir system can be used for a wide range of situations and applications:

- Ambulances
- Car transporters
- Commercial vehicles
- Motorhomes
- Animal transport
- Offroad vehicles
- Transportation of passengers
- Emergency rescue vehicles
- Wheelchair accessible vehicles
- Service vehicles

Dealer:

VB-FullAir

rear axle

Highest position	+40 mm
Lowest position	-60 mm

* depending on the version.
dimensions are indicative and for information purposes only.